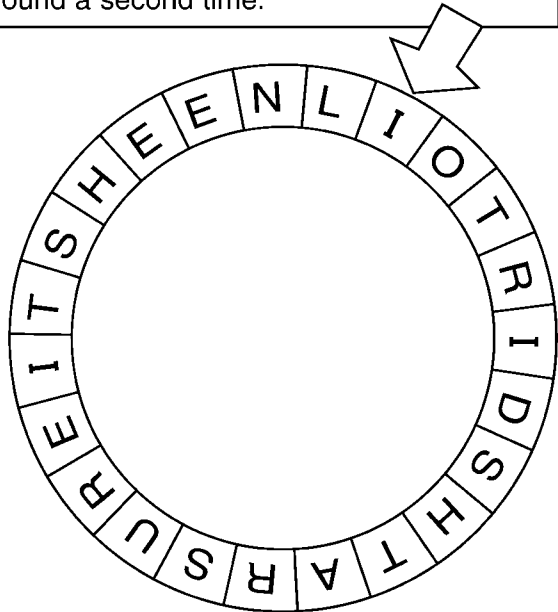




The men went back to Jerusalem right away. They found the disciples and said ...

Begin at the arrow.  
Go around the circle clockwise, writing down every other letter.  
Go around a second time.




“ I \_\_\_\_\_ !  
\_\_\_\_\_  
\_\_\_\_\_  
\_\_\_\_\_ !”

Ages 7+

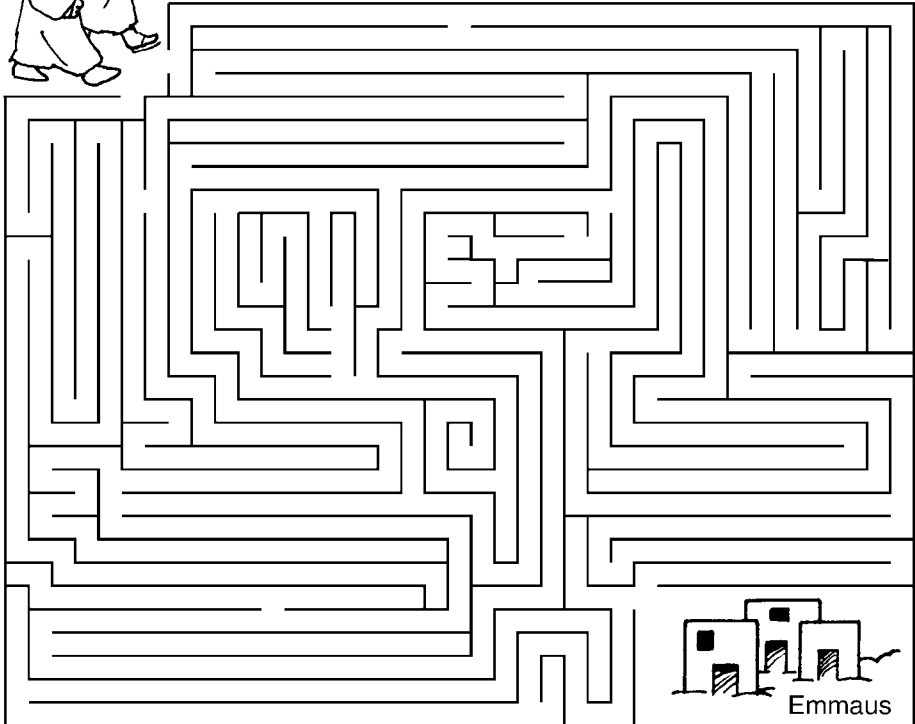
April 19, 2026 • Luke 24:13-35

# On the Road to Emmaus

Two friends of Jesus were walking on the road to Emmaus, a village about 7 miles from Jerusalem. It was the same day the tomb was found empty.



Help them on their way.



**SAINT LUKE LUTHERAN CHURCH**  
9100 Colesville Road, Silver Spring, MD 20910  
Phone: 301-588-4363 Fax: 301-588-2156



The 2 men walked and talked about all that had happened concerning Jesus. They were joined by someone they didn't recognize, who spoke about the scriptures. Who was this stranger?

The men invited this "stranger" to stay with them for the evening. As they sat at the table, Jesus took bread and gave thanks, then broke the bread and began to serve them. Then what happened?

Write the letter in the alphabet that follows each one given below.

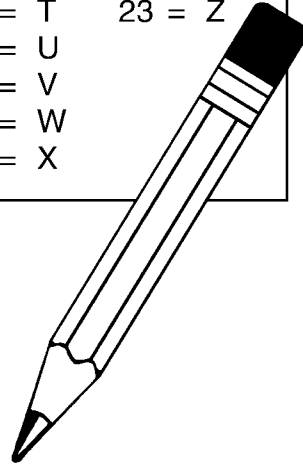
Example: M  
L

A B C D E F G H I J K L M N O P Q R S T U V W X Y Z

Solve the math problems.

Then use this code to find out what Jesus said.

21 = A	33 = G	12 = M	14 = S	30 = Y
13 = B	22 = H	32 = N	11 = T	23 = Z
20 = C	24 = I	36 = O	18 = U	
31 = D	16 = J	26 = P	29 = V	
25 = E	35 = K	34 = Q	19 = W	
17 = F	15 = L	28 = R	27 = X	



I

<u>29</u>	<u>19</u>	<u>13</u>	<u>26</u>	<u>7</u>	<u>9</u>	<u>12</u>	<u>23</u>	<u>9</u>	<u>11</u>
-5	-8	+6	-5	+7	+7	+13	-9	+9	+3
24									

<u>30</u>	<u>14</u>	<u>23</u>	<u>6</u>	<u>19</u>	<u>8</u>	<u>12</u>
-8	+10	-11	+8	+6	+7	+5

S G D X Q D B N F M H Y D C

G H L a M C G D

C H R a O O D a Q D C

E Q N L

S G D H Q

R H F G S

